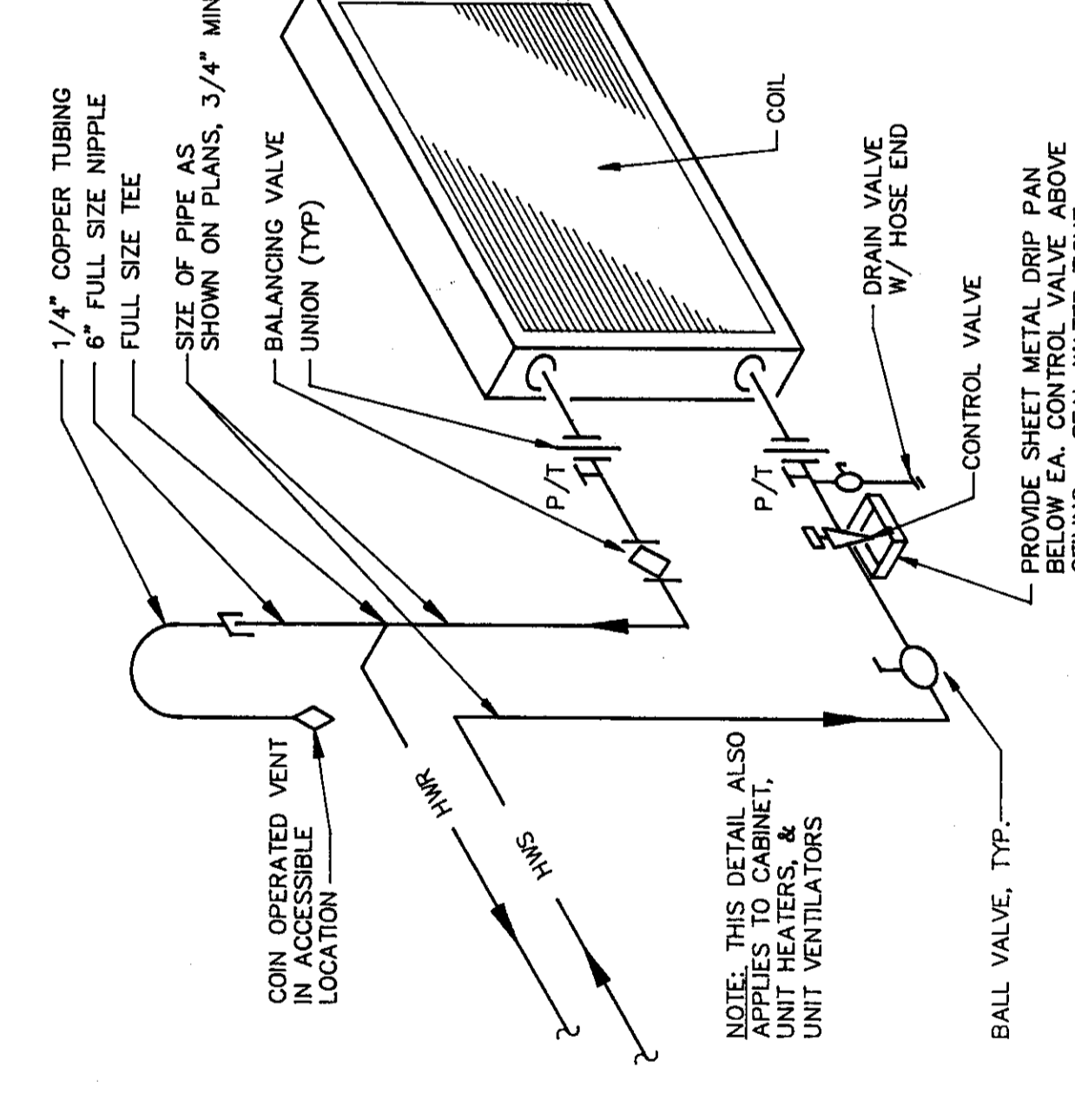
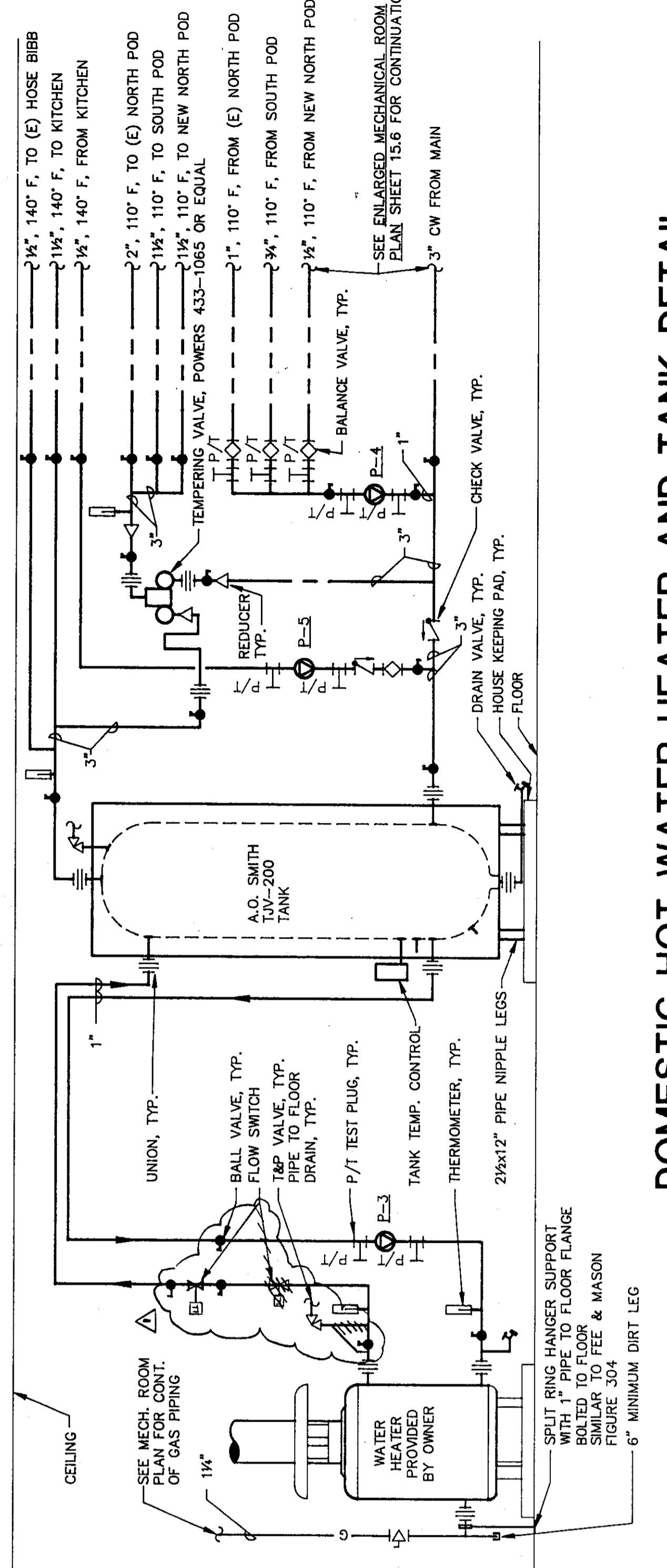


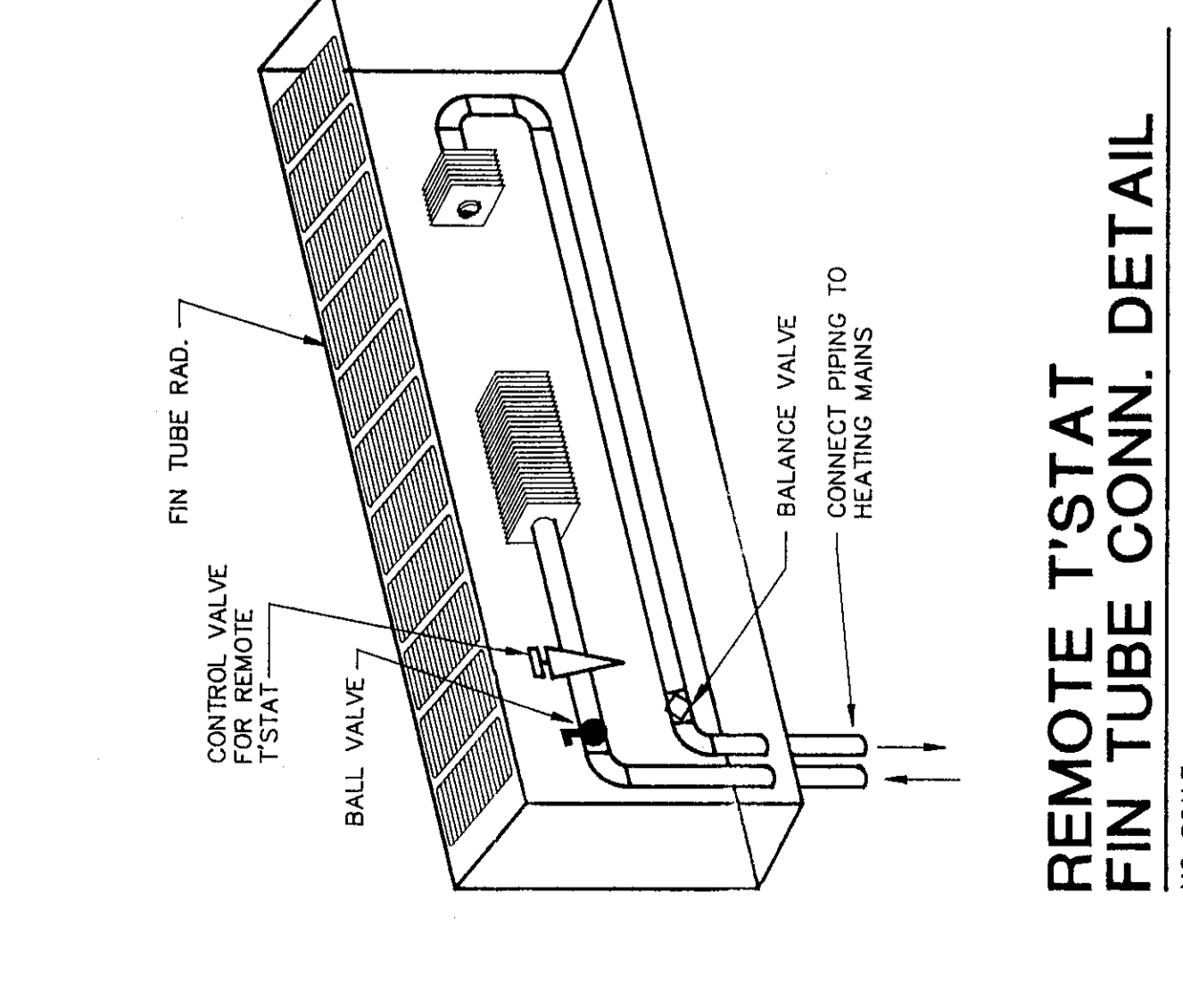
**HOT WATER COIL CONN. - 3-WAY VALVE**  
NO SCALE



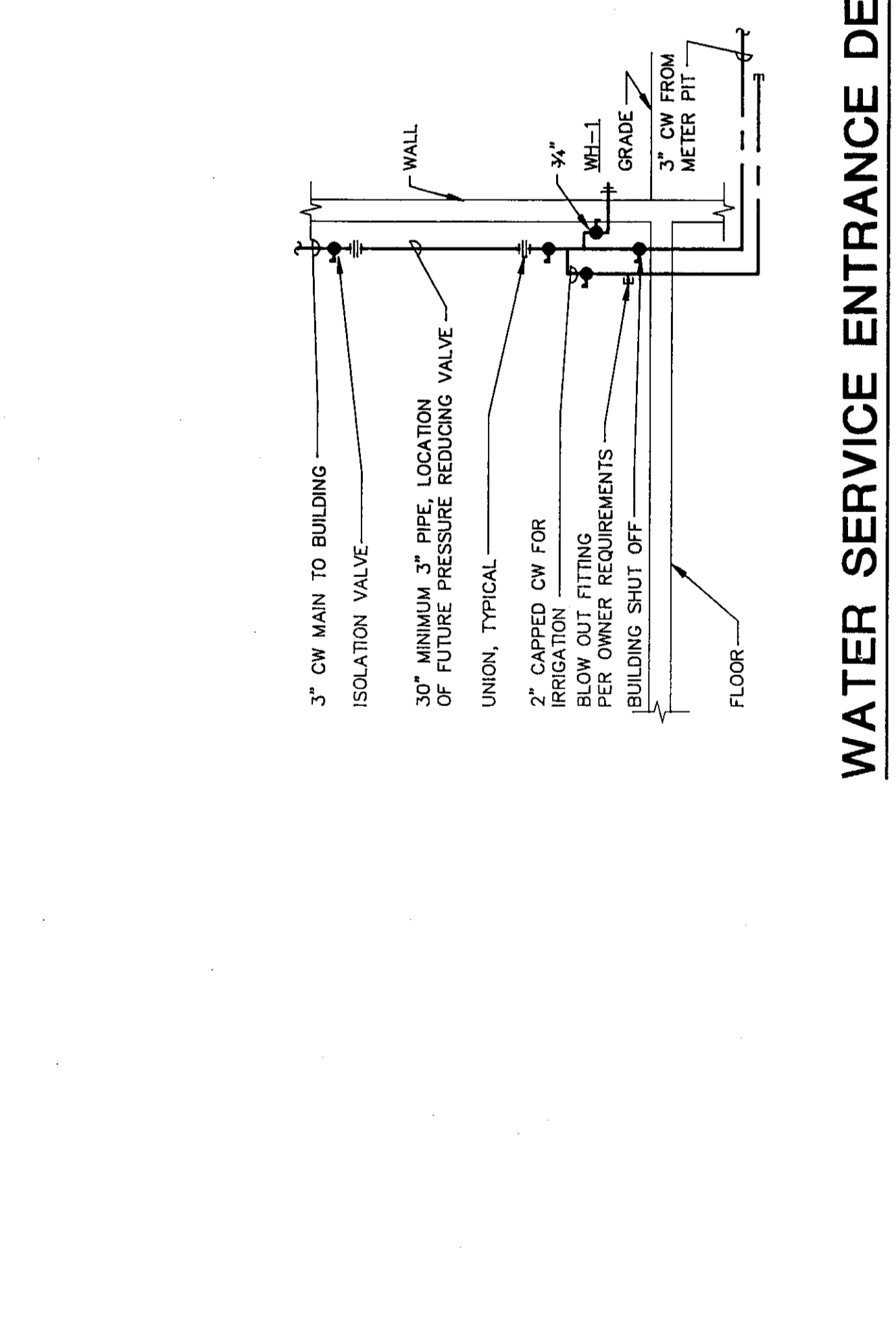
**HOT WATER COIL CONN.**  
NO SCALE



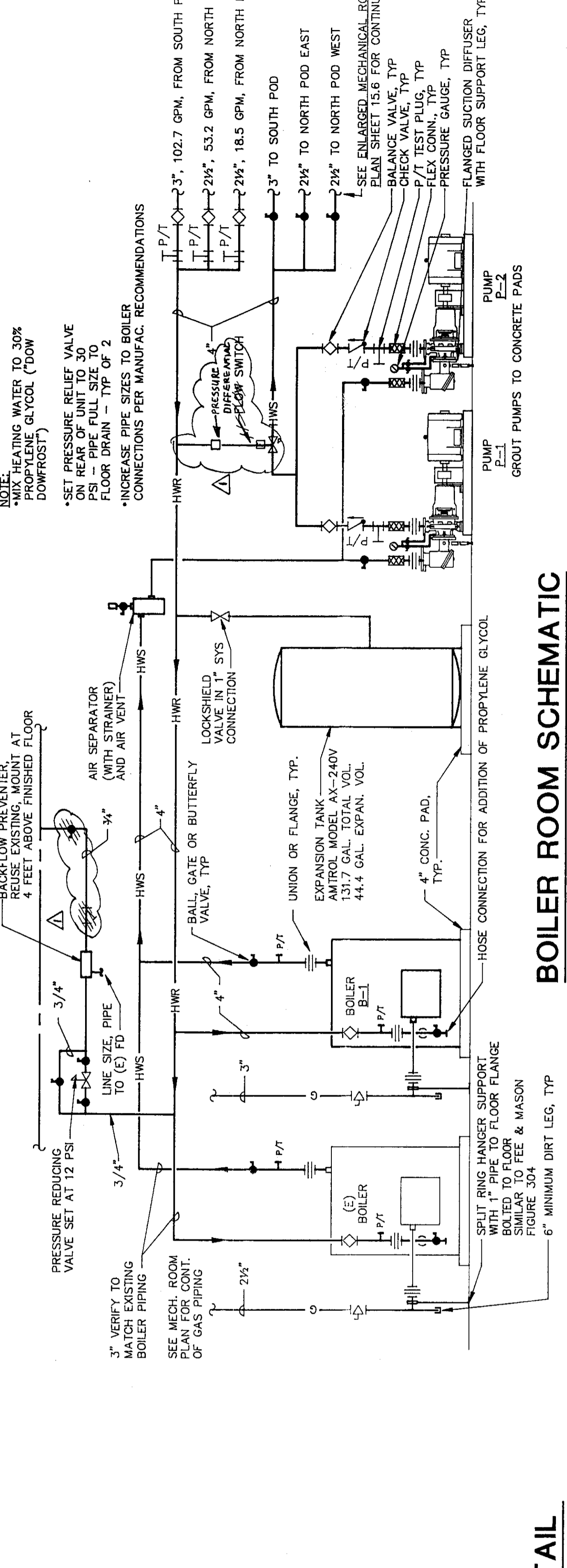
**DOMESTIC HOT WATER HEATER AND TANK DETAIL**  
NO SCALE



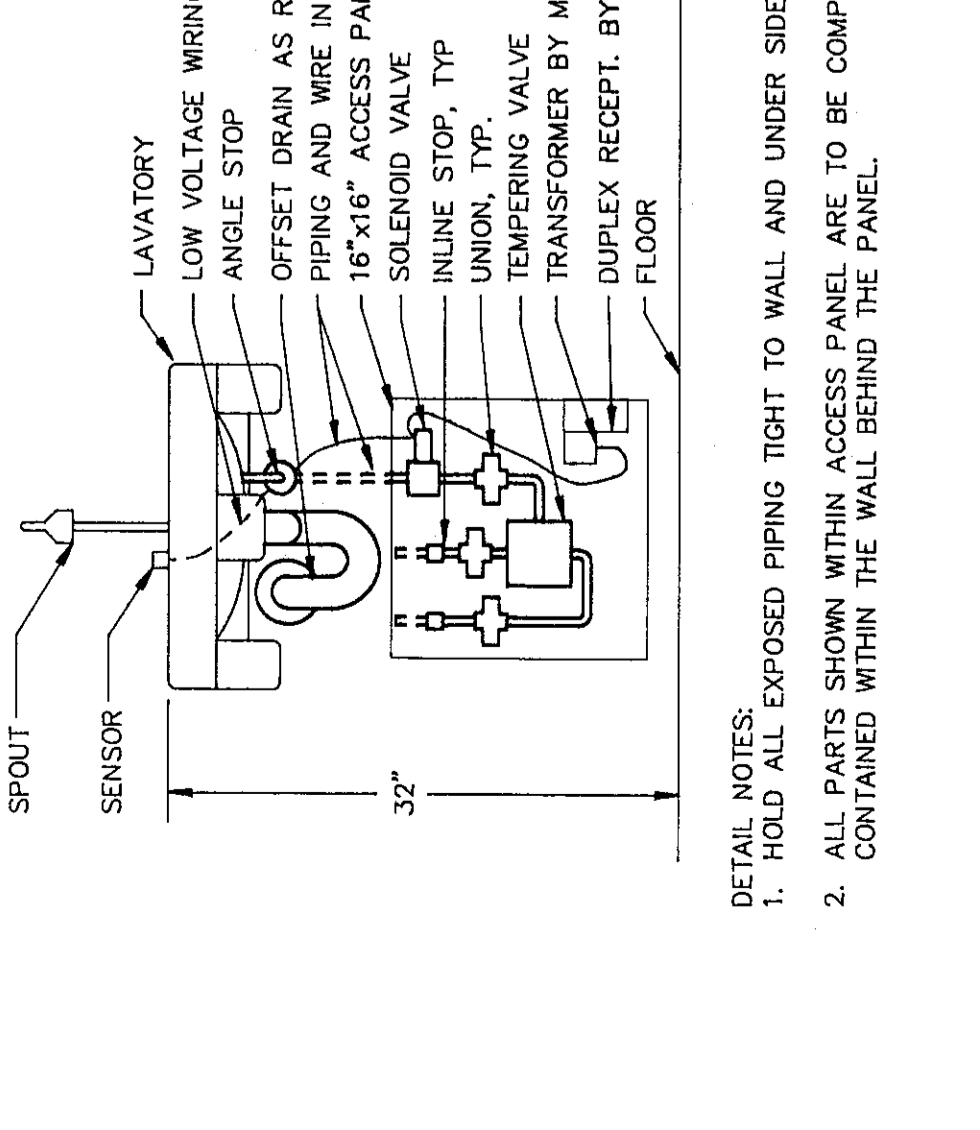
**REMOTE T'STAT FIN TUBE CONN. DETAIL**  
NO SCALE



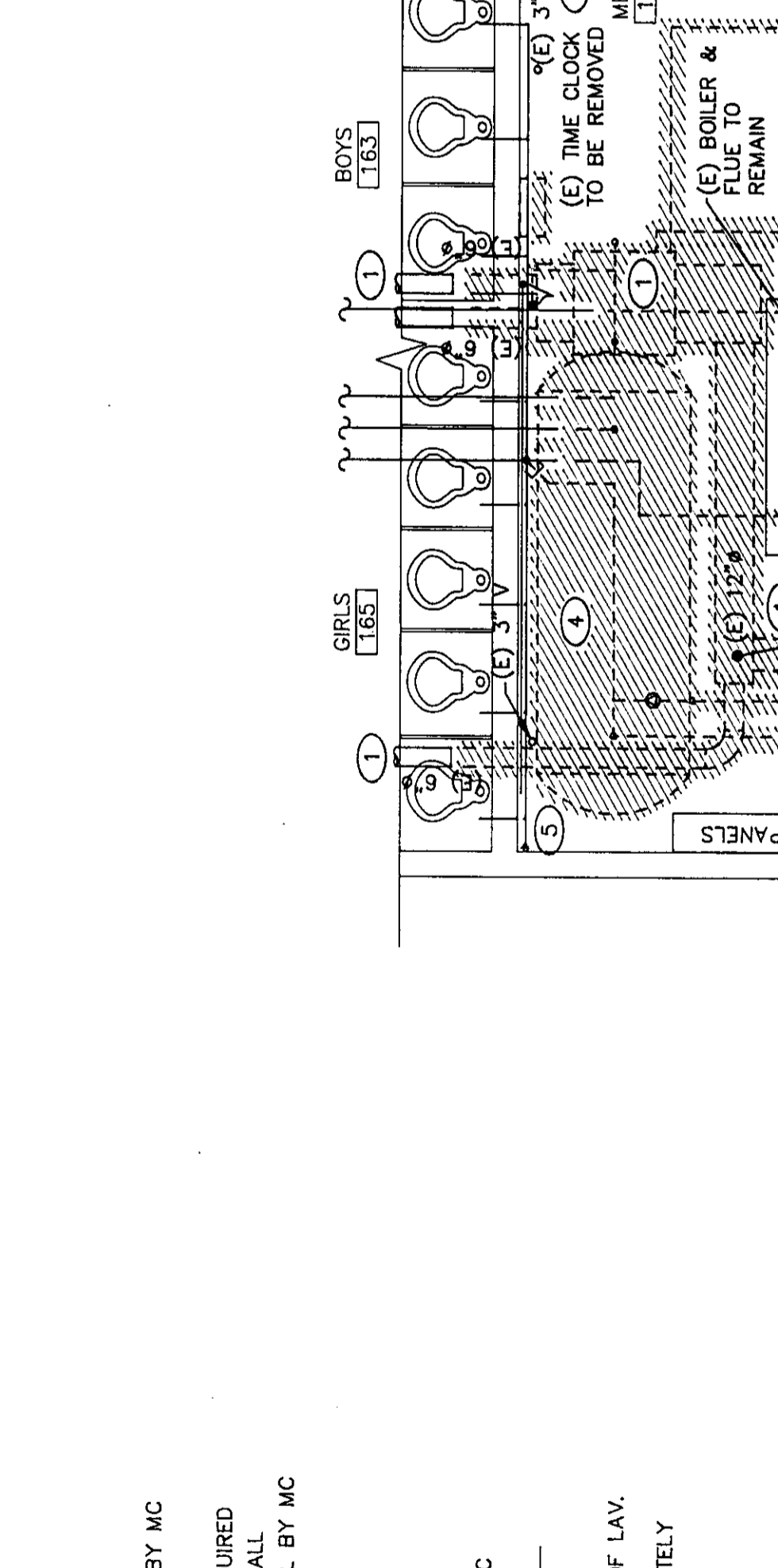
**WATER SERVICE ENTRANCE DETAIL**  
NO SCALE



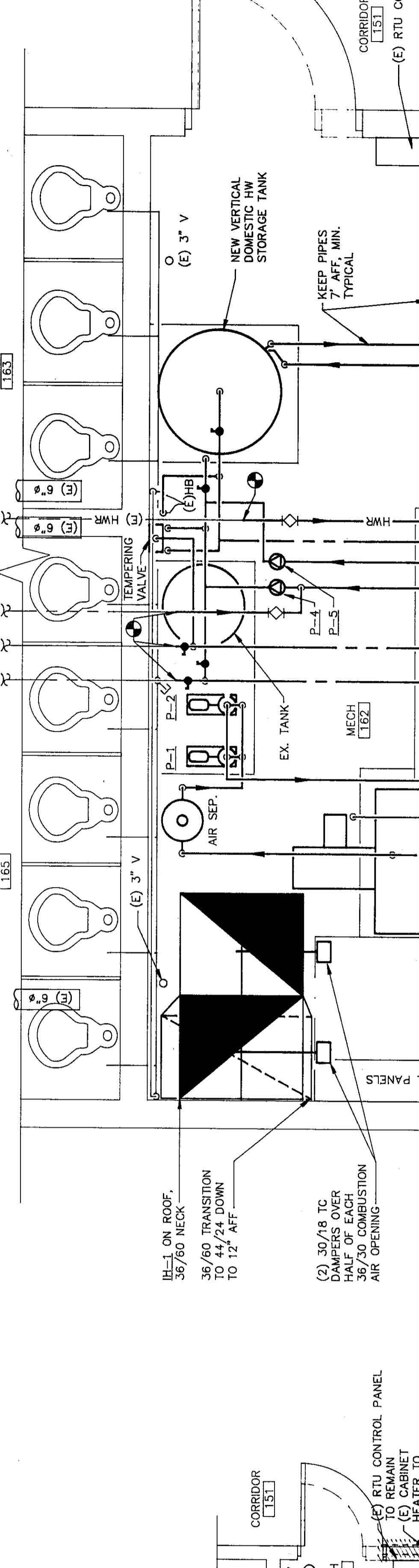
**BOILER ROOM SCHEMATIC**  
NO SCALE



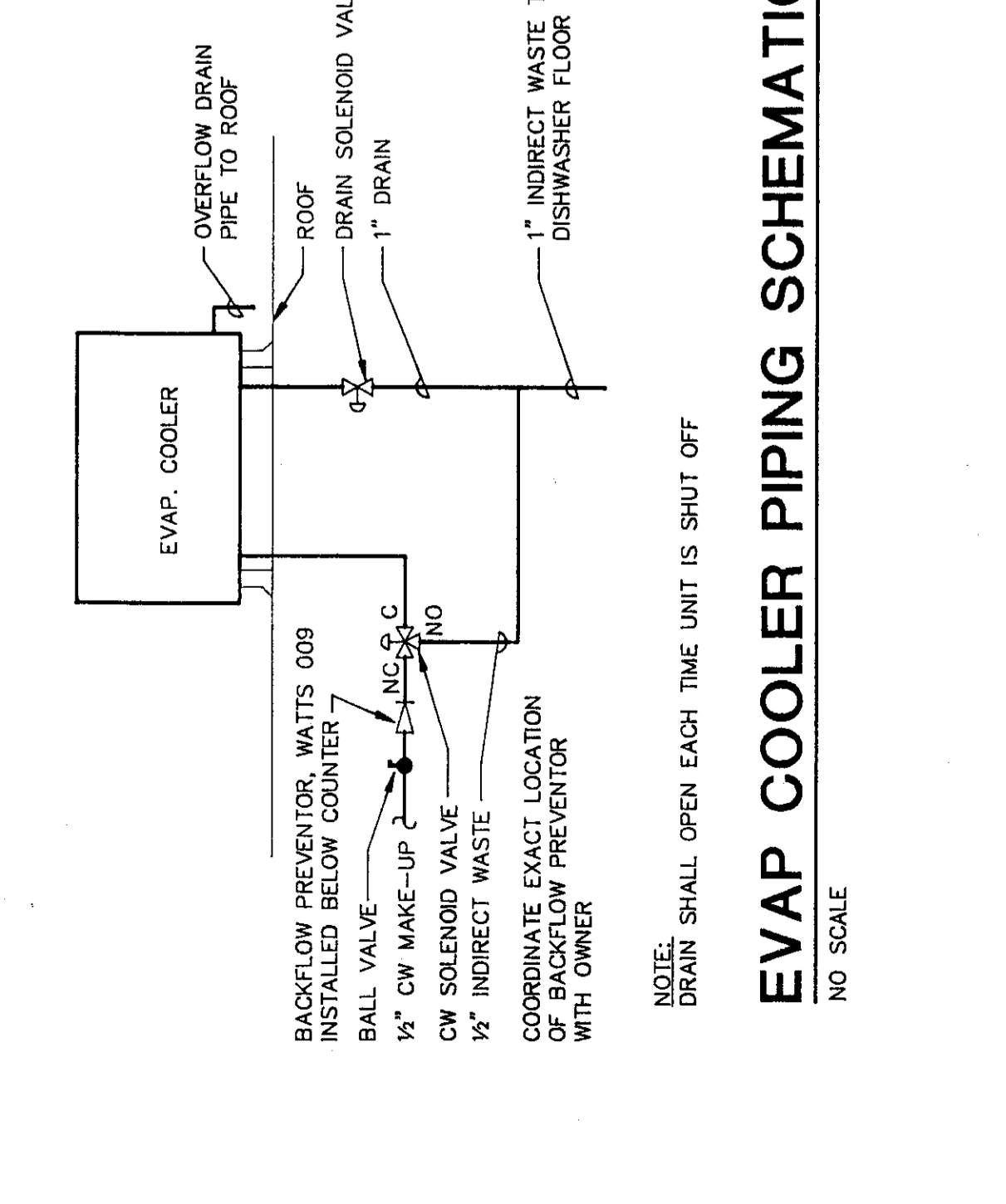
**HANDICAPPED LAV ELEVATION**  
1" = 1'-0"



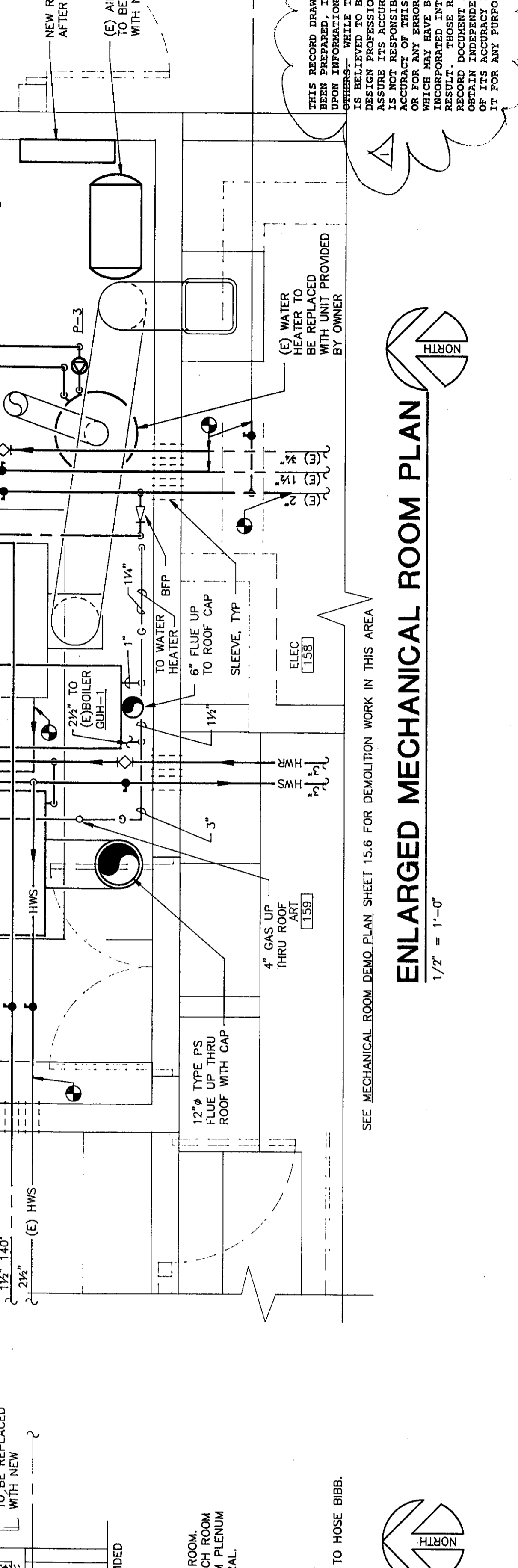
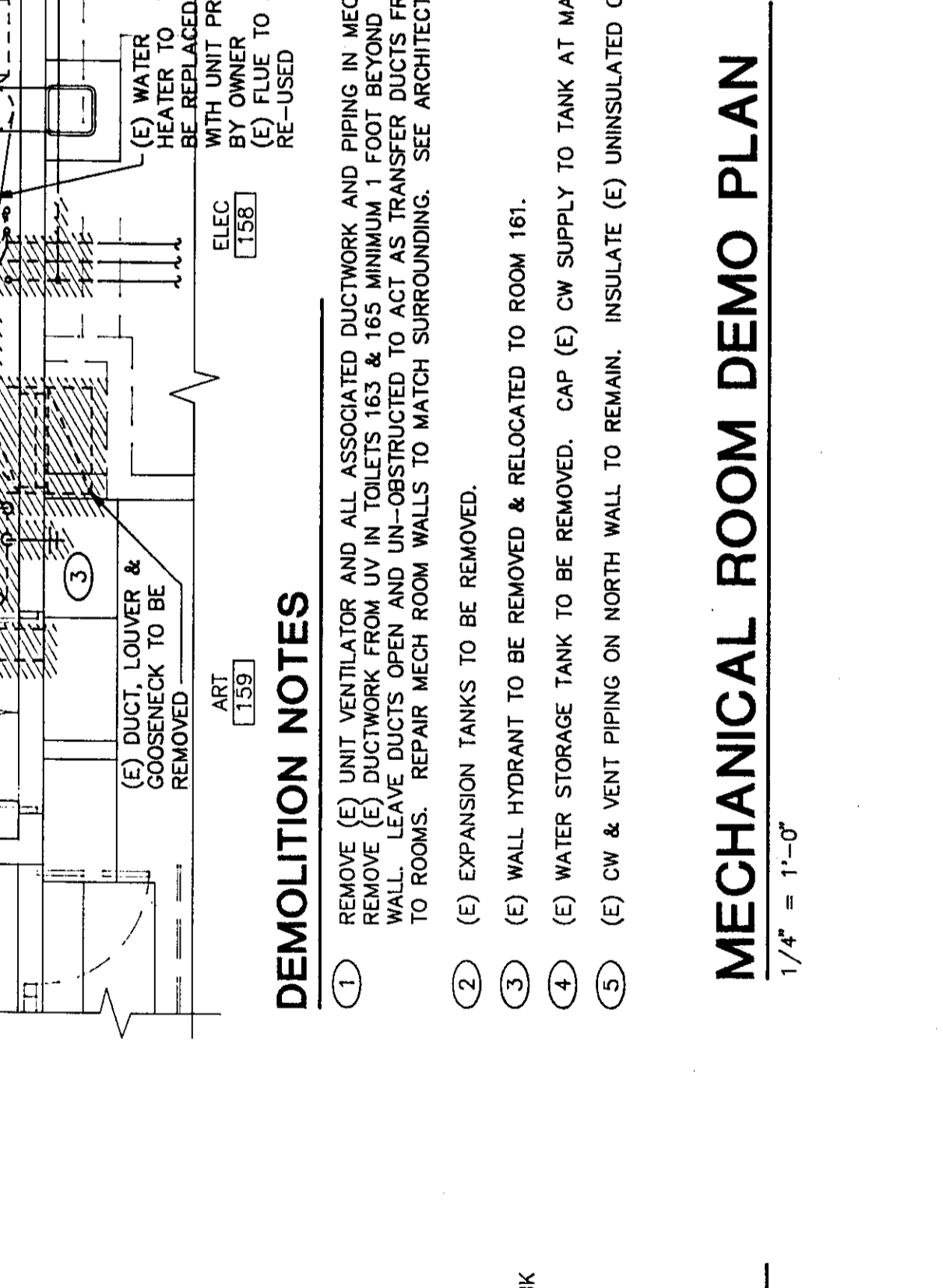
**MECHANICAL ROOM DEMO PLAN**  
1/4" = 1'-0"



**ENLARGED MECHANICAL ROOM PLAN**  
1/2" = 1'-0"



**EVAP COOLER PIPING SCHEMATIC**  
NO SCALE



**MECHANICAL ROOM DEMO PLAN**  
1/2" = 1'-0"